

LIMITED WARRANTY

Your Flexi Pro Sprayer is designed to give you years of reliable service. If a problem should arise, use the troubleshooting section in the operation manual to diagnose and correct the problem if possible.

If you are unable to determine the cause or solution to the problem, contact your distributor or Hydro-Force for assistance.

Hydro-Force warrants the Flexi Pro Sprayer to be free of defects in material and workmanship. This warranty shall extend for one year from the date of purchase.

During the warranty period, Hydro-Force will, at its option, repair or replace components which prove to be defective. This warranty does not provide for replacement of complete units due to defective components. Any costs for transportation or related service labor are not covered in this warranty. Replacement parts are warranted only for the remainder of the original warranty period.

This warranty shall not apply to defects resulting from improper operation, lack of maintenance, unauthorized modification, chemical incompatibility, misuse, abuse, or exposure to freezing temperature conditions. It does not cover normal wear items such as o-rings, valve seals, pump seals, hoses, jets, cords, batteries, chemical bottles, or other items which require replacement as a result of ordinary usage.

To obtain warranty service for the Flexi Pro Sprayer, contact your distributor or Hydro-Force. If the sprayer must be returned to Hydro-Force or an authorized service center, the purchaser shall prepay shipping charges for products returned for warranty service. All returns must have a Return Authorization number, issued by Hydro-Force, clearly marked on the exterior of the package. No returned items will be accepted by Hydro-Force without prior authorization.

Hydro-Force makes no other warranty, either expressed or implied, with respect to this product.

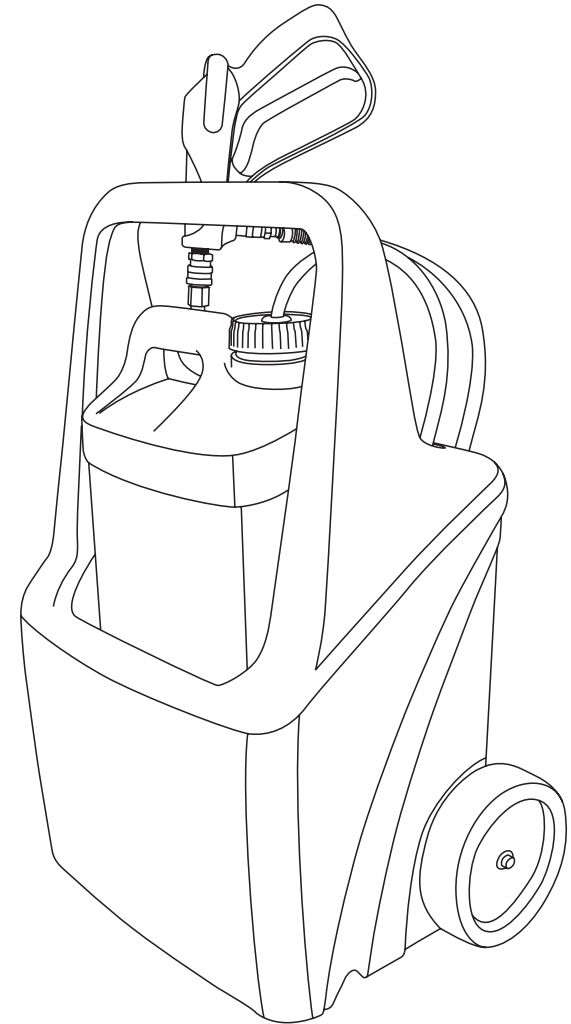
The remedies provided herein are the purchaser's sole and exclusive remedies. In no event shall Hydro-Force be liable for any direct, indirect, special, incidental, or consequential damages.

This warranty gives you specific legal rights. You may also have other rights which vary from jurisdiction to jurisdiction.

FLEXI PRO SPRAYER

by **HYDRO-FORCE**

12 Volt Battery Powered Sprayer



Problem	Cause	Solution
Pump not turning on - No power	Battery not charged Fuse Blown Battery faulty Faulty switches or internal wiring Pump motor faulty Pump seized	Recharge battery - (see Charging) Check fuses - Replace as needed Replace battery Check wiring & test switches - repair as needed Replace pump motor Repair or replace pump head & bearing - Check motor
Battery not charging	Failure to follow Charging instructions Power source out Fuse blown Battery faulty Charger faulty Faulty internal wiring	Review Charging section Check fuses - Replace as needed Find a different power source Replace fuse & check for shorts Replace battery Replace charger & check fuse Check wiring - Repair as needed
Not spraying properly	Jet clogged Jet worn Chemical hose not submerged in jug Chemical filter clogged (intake) Air leak in chemical hose (intake) Chemical hose restricted (intake) Chemical jug not vented Spray hose restricted (outlet) Spray valve faulty Debris in pump head Pump faulty Battery not charged Battery faulty Faulty switches or internal wiring Chemical to thick to pump properly	Clean or replace jet Replace jet Make sure end of chemical hose with filter is in the chemical Clean or replace filter Repair or replace hose Un-kink, clean out or replace hose Remove cap - enlarge hole in cap for hose Un-kink, clean out or replace hose Repair or replace valve Clean out pump head - Replace valves as needed Repair or replace pump Recharge battery Replace battery Check wiring & test switches Charge chemicals - Must be similar in viscosity to water
Solution dripping from jet with valve closed	Spray valve faulty Check valve faulty Jet worn Extension faulty	Repair or replace valve Replace check valve Replace jet Replace extension

- Wide Bottom:** prevents the sprayer from tipping over
- Translucent Bottle:** make it easy to see the level of chemical
- 2 1/2 Gallon Bottle:** the sprayer holds more chemical, allowing less frequent refilling.
- Removable Bottle:** allows for quick chemical switching
- Large cap:** enables easy refills and less chance of spills
- 15 Feet of Coiled Hose:** Prespray upholstery with sprayer in one position
- Built In Extension Holder:** Keep out of the way on truck
- Large Wheels:** Easy movement on commercial jobs or large rooms
- Extendable Handle:** for easy transportation and movement
- Extra Jets Easily Attached:** move from carpet prespray to upholstery prespray to protector with different jets
- Easy Priming and Rinsing of Lines:** removable jets
- Easy to Recharge:** Car Charger NM4109A - Plugs into vehicle cigarette lighter to top-off battery charge between jobs. AC Wall Charger NM4109B - Plugs into 110v wall outlet for long term charging. Both chargers included with every sprayer. See "Charging" section for specifics.
- Length of Charge:** sprays up to 45 gallons on full charge
- Easy to Fix:** remove 6 screws to service pump or battery
- Sealed Cavity:** pump and battery protected from spills
- Flojet Water Pump:** durable, easy to maintain, self-priming
- Rotomolded Plastic:** proven to last for years

Specifications

Hose

Length: 15'
Diameter: 3/8" OD / 1/4" ID

Charger

110 V Included
12 V Included

Battery

Sealed, Rechargeable
Volts: 12.0
Amperage: 8.0 amp hours

Fuse

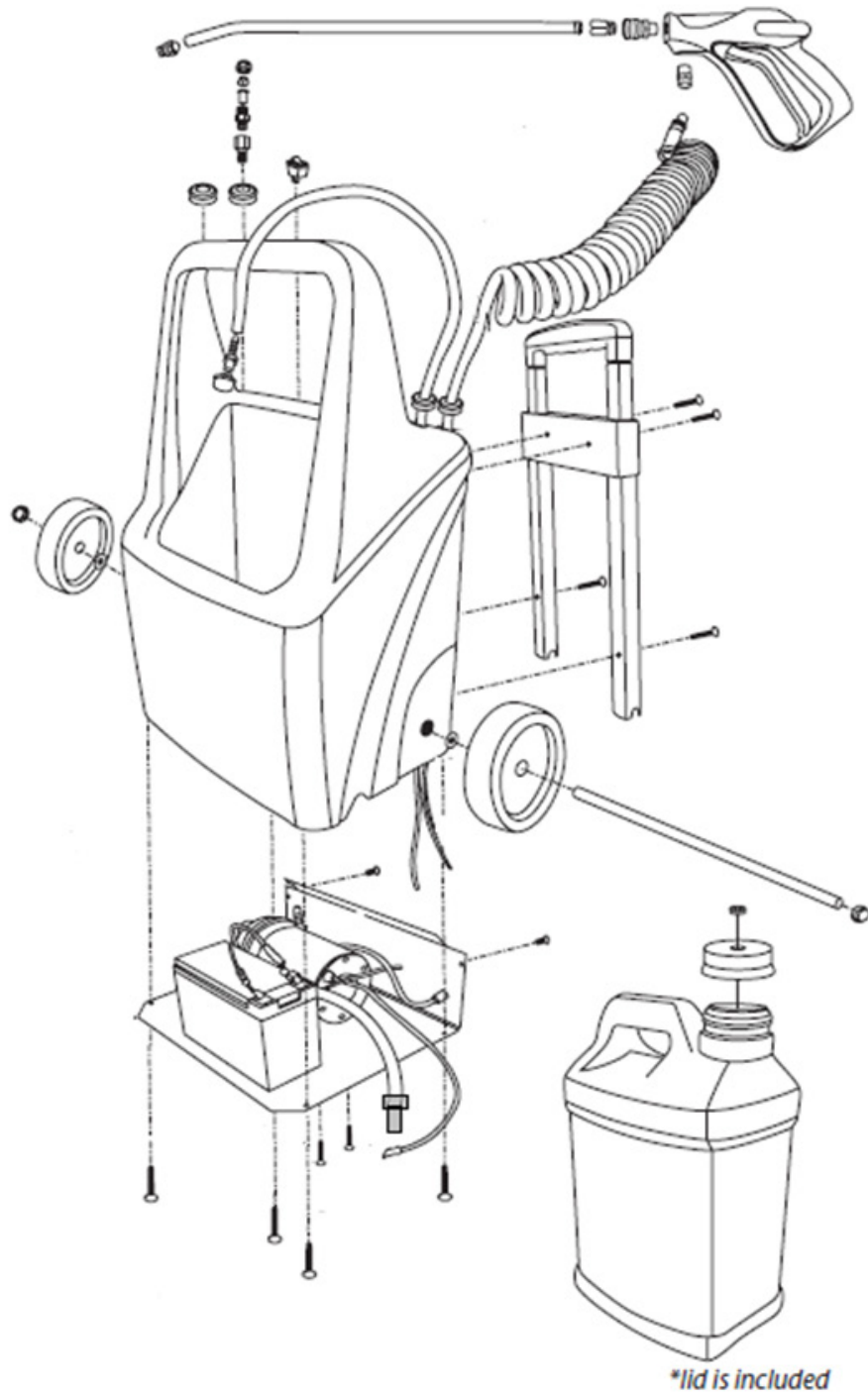
Amps: 10

Pump

Flow: 1 gallon/minute
Pressure: 50 psi
Voltage: 12 VDC
Amperage: 4.0

Jets

Pre-spray:
Veejet, Hydro-Force
part # B281, size = 8005
Protectant:
Teejet, Hydro-Force
part # B006, size = 6501



is a switchmode taper charger and can remain connected to the Flexi Pro Sprayer for extended periods (months) to maintain the battery charge when the sprayer is not being used. Do not store battery in a discharged state. Connect the charger before storing sprayer. Warning: Old Style Wall Chargers (NM4108 & NM4108A sold before September 2008) can only be used for a maximum of 12 hours. Overheating of the battery will occur with longer charging time, with the result being reduced battery life or, with extreme cases, battery failure. If you are unsure of which charger you have contact Hydro-Force for assistance in identifying your charger.

Operation

Unused batteries can lose their charge . Test the sprayer before using on a job to ensure that the battery is charged. See the "Charging" section for instructions on how to charge the battery.

1. Fill chemical container with desired chemical and place container in the Flexi Pro Sprayer.
2. Place the chemical feed hose into the chemical container and secure the cap.
3. Turn the switch to the ON position and spray into a container until pump is primed. Turn the switch to the OFF position.
(Properly dispose of the sprayed chemical.)
4. Place the proper size jet on the spray gun for the present application.
5. Move the sprayer to the location where the sprayer is to be used.
6. Turn the switch to the ON position and spray chemical as needed.
7. When the job is completed, turn the switch to the OFF position.
8. Return the sprayer to your van.
9. Remove the chemical feed hose from the chemical container and replace the solid cap for storage.
10. Place the chemical feed hose into a container filled with water.
11. Turn the switch to the ON position and spray into a container until the chemical is flushed out of the pump and hoses.
(Properly dispose of the sprayed chemical and water.)
12. Turn the switch to the OFF position and return the sprayer to its storage spot in your van.
13. Connect the charger to the sprayer and plug the charger into the van power source.

- Run fresh water through the sprayer after each day of use to flush chemical from the pump and hoses.
- Keep chemical containers and strainer screen clean.
- Keep charger connected to sprayer and plugged into to van power supply when not in use to maintain fully charged battery. See Charging section for details.
- While sprayer and pump are made with chemical resistant materials, and can handle a wide range of chemicals, do not assume chemical compatibility.
- Contact your distributor or the manufacturer if you have questions regarding your chemicals compatibility.
- No warranty, expressed or implied, can be considered where component failure is caused by chemical effects.
- Label all containers to properly identify chemicals.
- Do not use to spray liquids with temperatures above 160°F. (71°C)
- Do not use to spray flammable or combustable liquids.
- Do not use sprayer where flammable vapors are present.
- Pump can run dry without damage.
- If stored in possible freezing conditions the sprayer must be liquid free or winterized with anti-freezing chemical.
- Do not operate without inlet strainer.

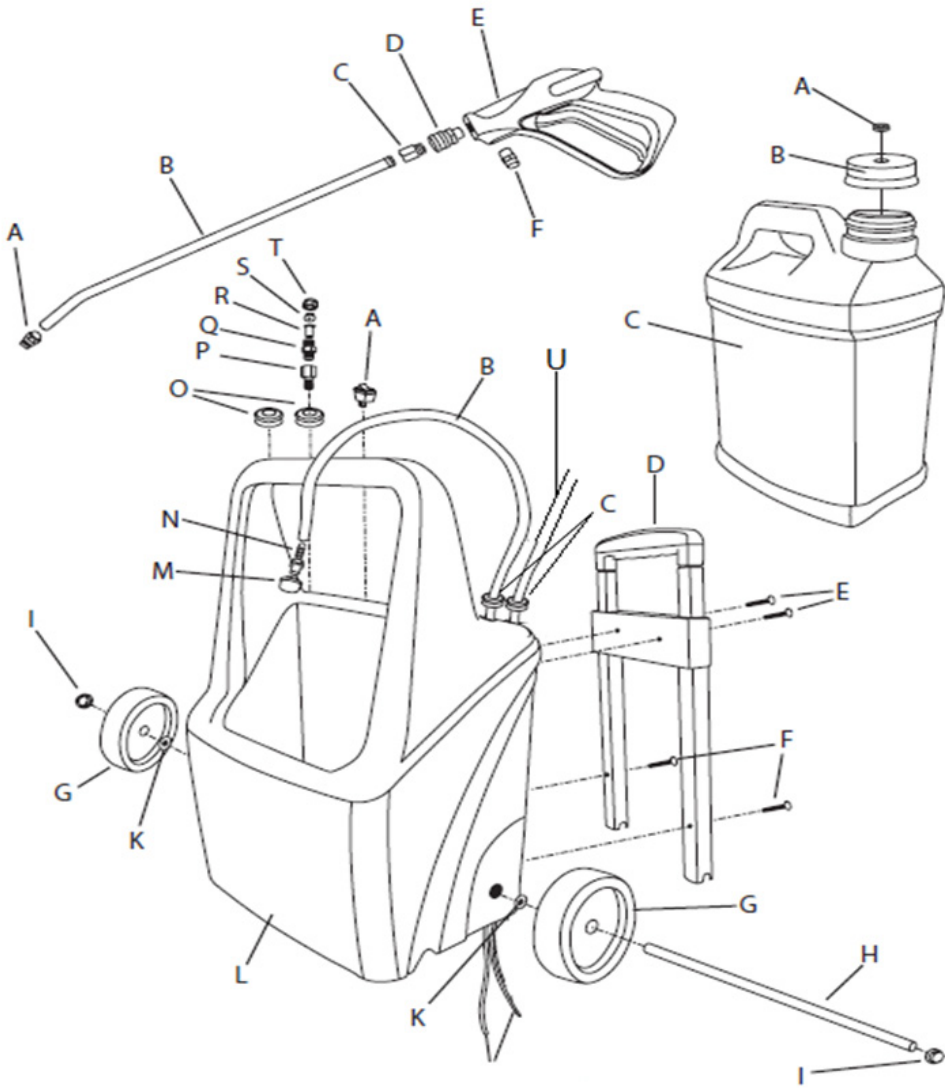
Charging

The Flexi Pro Sprayer is the strongest, best built 12 volt sprayer on the market. With proper use, the Flexi Pro’s robust “non-memory” battery will give long, reliable service. Two chargers are included with each Flexi Pro Sprayer. Proper use of these chargers is required to get the maximum use from the Flexi Pro battery.

The NM4109A Car Charger is included with the Flexi Pro Sprayer. It can be plugged into the vehicle cigarette lighter or accessory power outlet and connected to the Flexi Pro Sprayer to “top-off” the battery charge between jobs. The vehicle must be running to produce the voltage required for proper charging. The NM4118 Adapter with Alligator Clips is an optional accessory that can be used to connect the Flexi Pro Car Charger directly to your truckmount or van battery for charging. The truckmount or vehicle must be running to produce the voltage required for proper charging.

The NM4108B Wall Charger is included with the Flexi Pro Sprayer. This charger is plugged into an 110v wall outlet and connected to the Flexi Pro Sprayer when longer charging times are required to fully charge the battery. A heavily discharged battery may require 12-16 hours to regain a full charge. The NM4108B Wall Charger

PART #	DESCRIPTION	QUANTITY	PART #	DESCRIPTION	QUANTITY
AP21	Water Pump	1	BR335	Quick Male	2
NM4100	Battery	1	BR337	Quick Female	1
NM4114	Coil Hose, 15’	1	B006	Upholstery TeeJet 6501	1
NA030	Spray Gun Valve	1	NM4116	Rubber Bushing 3/8”	3
NA0833	Extension	1	NM4061	Base Plate Screws	10
B281	Veejet 8005 ¼” FPT	1	NM4080	Handle Screws	2
NM4102	Bottle	1	BR112	Coupling ¼” FXF	1
NM4103	Cap	1	NM5034	Pump Base Bolts	2
NA0840	Strainer	1	NM4003	Pump Base Nuts	2
NA0839	Barb Nylon	1	NM5066	Pump Base Washers	2
NA0817	Tubing ¼” ID	60”	NA0802	Strainer Body	1
BR013	Barb 1/4Fx1/4	1	NA0803	Strainer	1
NM4104	Axle Cap	2	NA0826	Teejet Cap	1
NM4105	Wheel	1	S-NA0817	Battery Strap	1
NM4110	Extendable Handle	1	NM4255	Washers Battery Strap	2
NM4106	Base Plate	1	NM5099	Rivets Battery Strap	2
NS123	Hose Clamps	4	NM4109A	Car Charger (included)	1
NS162	Elbow Barbs	2	NM4108B	Wall Charger	1
NS125	Power Recepticle	1	NM4117	Rubber Bushing 3/4”	2
NM4123	Screws Power Recepticle	1	NM4064	Washer Spacer	2
NM4031	Nuts Power Recepticle	2	PLF-AGC10	Fuse	1
NM4111	Switch Rocker	1	NS177	Fuse Casing	1
NM4017	Connectors	4	NM4118	Car Charger Adapter w/	
NM4020	Wire Black	2 feet		Alligator Clips	optional
NM5020	Wire Red	2 feet	PKGA10	Diode	1
XHA07	3/8” Aluminum Axle Rod	16.75”	BR060	Splicer 1/4” Barbs	1
NM4113	Molded Plastic	1			



NM4109A
Car Charger 12 Volt
Cigarette Lighter Plug



(Included with Flexi Pro
Sprayer)

NM4108B
Wall Charger 110 Volt
Switchmode Taper Charger



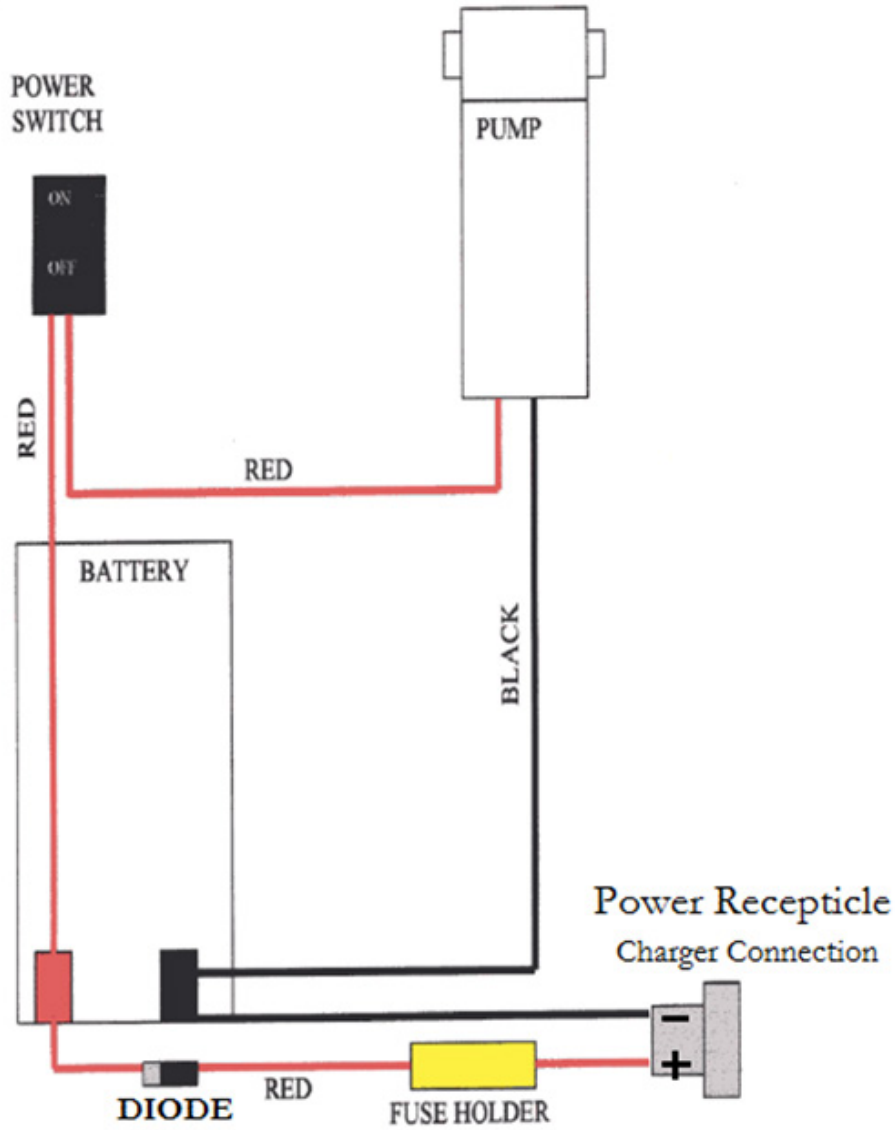
(Included with Flexi Pro
Sprayer)

NM4118
Adapter w/ Alligator Clips
For Cigarette Lighter Plug



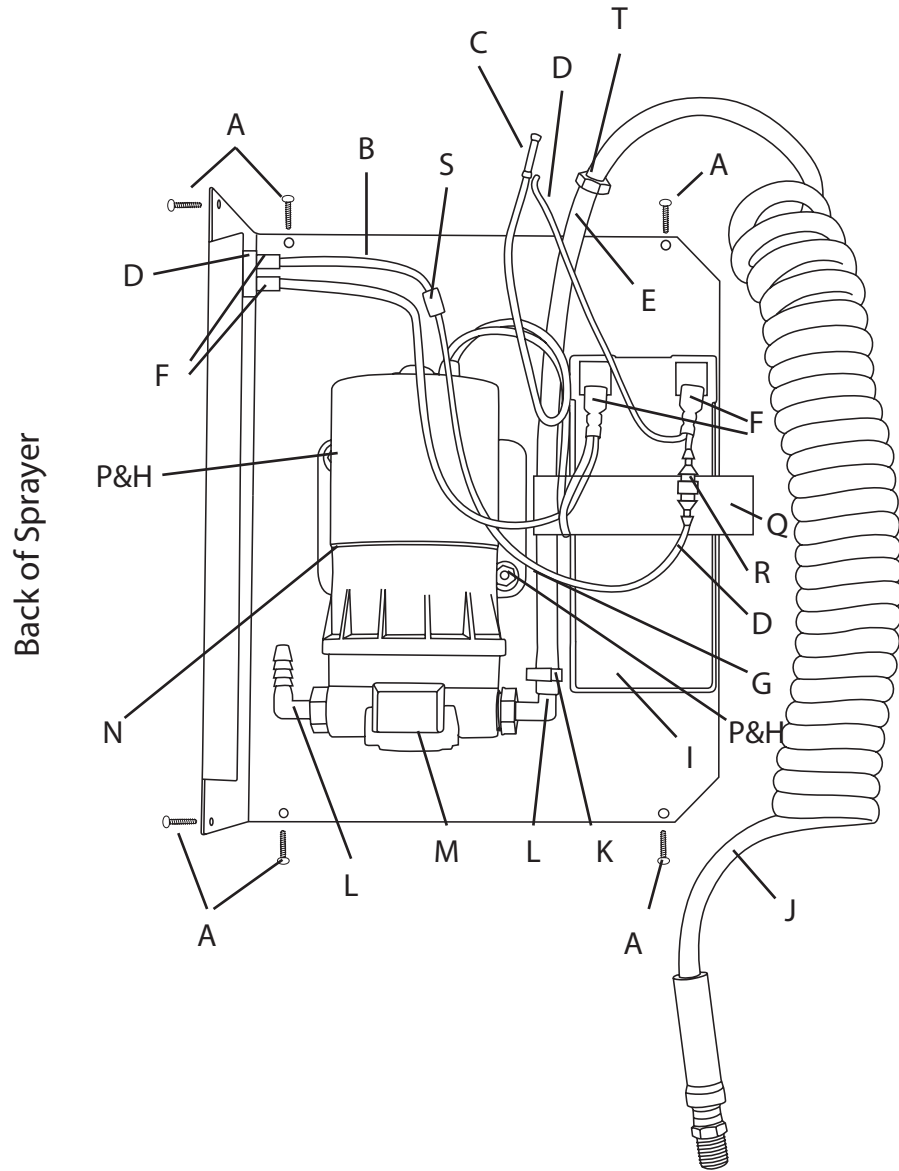
(Optional Accessory)

WIRING - FLEXI PRO SPRAYER AS75



DIODE MUST BE INSTALLED WITH GRAY STRIPE TOWARDS BATTERY

NUMBER	PART #	DESCRIPTION	QUANTITY
Gun Diagram			
A	B281	Veejet 8005 1/4" FPT	1
B	NA0833	Extension	1
C	BR335	Quick Connect Male	1
D	BR337	Quick Connect Female	1
E	NA030	Spray Gun - Valve	1
F	BR112	Coupling 1/4" FXF	1
Bottle Diagram			
A	NM4116	Rubber Bushings	1
B	NM4103	Cap	1
C	NM4101	Bottle with Lid	1
Sprayer Body Diagram			
A	NM4111	Switch Rocker	1
B	NA0817	Tubing	48"
C	NM4116	Rubber Bushings 3/8"	2
D	NM4110	Extendable Handle	1
E	NM4061	Base Plate Screws	10
F	NM4080	Handle Screws	2
G	NM4105	Wheel	2
H	XHA07	3/8" Aluminum Axle Rod	16.75"
I	NM4104	Axle Cap	2
J	NM5020	Wire Red	2 feet
K	NM4064	Washer Spacer	4
L	NM4113	Molded Plastic	1
M	NA0840	Strainer	1
N	NA0839	Barb Nylon	1
O	NM4117	Rubber Bushing 3/4"	2
P	BR335	Quick Connect Male	1
Q	NA0802	Strainer Body	1
R	NA0803	Strainer	1
S	B006	Upholstery TeeJet 6501	1
T	NA0826	Teejet Cap	1
U	NM4114	Coil Hose, 15'	1



NUMBER	PART #	DESCRIPTION	QUANTITY
A	NM4061	Base Plate Screws	10
B	NM4106	Base Plate	1
C	NM5049	Splicer Wire - Yellow	4 inches
D	NM5020	Wire Red	2 feet
E	NA0817	Tubing 1/4" ID Vinyl	12 inches
F	NM4017	Connectors	4
G	NM5066	Pump Base Washers	2
H	NM4003	Pump Base Nuts	2
I	NM4100	Battery	1
J	NM4114	Coil Hose, 15'	1
K	NS123	Hose Clamps 3/8"	2
L	NS162	Elbow Barbs	2
M	AP21	Water Pump	1
N	NM4020	Wire Black	2 feet
O	NS126	Power Recepticle	1
	NM4123	Screws Power Recepticle	2
	NM4031	Nuts Power Recepticle	2
P	NM5034	Pump Base Bolts	2
Q	S-NA0817	Battery Strap	1
	NM4255	Washers Battery Strap	2
	NM5099	Rivets Battery Strap	2
	PLF-AGC10	Fuse 10 amp (not shown)	1
R	NS177	Fuse Casing	1
S	PKGA10	Diode	1
T	BR060	Splicer 1/4" Barbs	1